

GEN3 IS-IBC1®

Non-Contact IBC Control

Configuration Form

Date _____

Reference # _____

Quote# _____

Instructions: Complete *both* sides of this form to describe the line requiring non-contact IBC control. This information will be used to match the IBC system to the line and application. Use one (1) form per extrusion line. If you have any special considerations, please note them on the drawing below or under special instructions.

1. Company Name: _____ Contact: _____

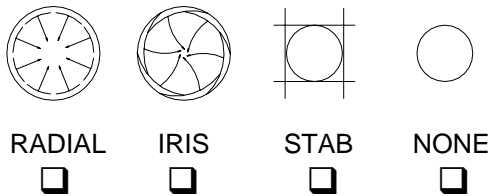
2. Address: _____ City, State, Zip: _____

3. Phone: _____ FAX: _____ Email: _____

4. Line Number: _____ Installation City: _____

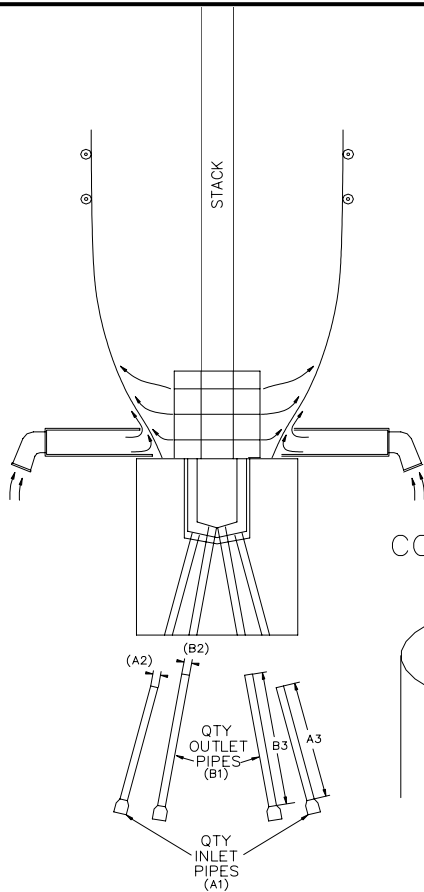
5. Sizing Cage Mfg'r _____ 6. Layflat Range (Min): _____ (Max): _____

7. Cage Type: _____ 8. Cage Height: Adjustable Fixed



9. What Oscillates? (check all that apply)

- Nothing Die
 Primary Nips Sizing Cage
 Extruder Platform



10a.	Die Diameter/Layers		
	Height from Die to Nip Rollers		(feet or meters)
	IBC Die Configuration		
10b.	<input type="checkbox"/> Multiple Pipes	INLET	OUTLET
	1. Quantity of Pipes	A1)	B1)
	2. Minimum I.D.	A2)	B2)
	3. Length	A3)	B3)
10c.	OR (fill in only 10b or 10c)		
	<input type="checkbox"/> Concentric Pipes	INLET	OUTLET
	4. Internal Diameter	A4)	B4)
	5. External Diameter		B5)
	6. Length (Incl. Stack for Outlet)		

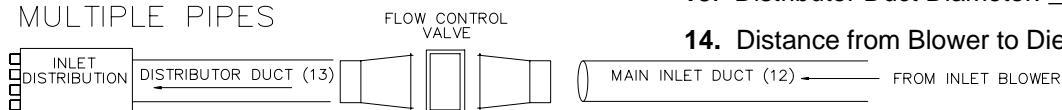
CONCENTRIC PIPES 11.

Blower Drives	INLET	OUTLET
Speed Control	Fixed Variable	Fixed Variable
Flow (CFM or M ³ /S)		
Static (in or mm H ₂ O)		
Motor (Hp or KW)		
Air Temp (°F or °C)		

12. Main Inlet Duct Diameter: _____

13. Distributor Duct Diameter: _____

14. Distance from Blower to Die: _____



Blowers

15. Inlet Blower Manufacturer Make & Model _____

16. Outlet Blower Manufacturer Make & Model _____

Variable Speed Drives

17. Inlet Variable Speed Drive Manufacturer Make & Model _____

18. Outlet Variable Speed Drive Manufacturer Make & Model _____

19. Select I3G 3rd Generation System Configuration.

ALL IN ONE: All control components in a single 380x380x10mm 15x15x8 inch) NEMA-4 Enclosure.

Optional:

- 2nd Remote Touch Screen – allows two control points for the IBC System

Specify Remote Cable Length:

- 5 Meter (16.4 feet)
- 10 Meter (32.8 feet)
- 20 Meter (65.6 feet)

- MODULAR: Same as All-In-One except touch screen is mounted up to 20 meters (65 feet) away

Specify Remote Cable Length:

- 5 Meter (16.4 feet)
- 10 Meter (32.8 feet)
- 20 Meter (65.6 feet)

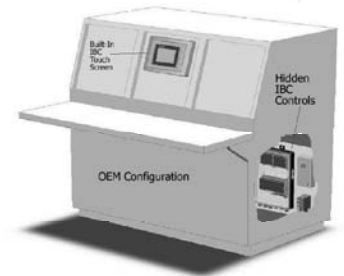
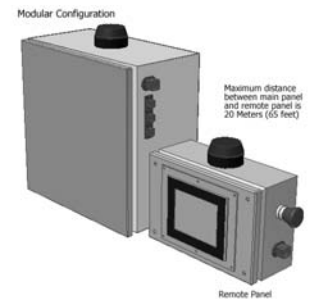
- OEM: Allows all control components to be mounted inside The OEM control station

Also, choose ONE of the following:

- Flush Mount Touch Screen -OR-
- Remote Touch Screen

Specify Remote Cable Length:

- 5 Meter (16.4 feet)
- 10 Meter (32.8 feet)
- 20 Meter (65.6 feet)



20. Select Total IBC Sensors:

- 2 3 4

21. Select Total Layflat Sensors:

- 2 3 4

22. Choose a Version:

- Standard Version: Includes 6" Touch Screen and Remote Diagnostic Modem.
 - Optional:** Automatic Sizing Cage Control
- Economy Version: Includes 4" Touch Screen (does not support Automatic Cage Control)
 - Optional:** 6" Touch Screen
 - Optional:** Remote Diagnostic Modem

23. Will you be connecting the IBC system to your company Intranet? YES NO

If you answer yes, we will be sending you another document to request specific IP address details. This will include IP addresses, subnet mask and gateway IP address. Please discuss this with your IT personnel.

24. Additional Items to Quote:

Auxiliary Items

- Sizing Cage
- Variable Speed Drives
- Blowers
- Cooling Coil IBC
- Cooling Coil Air Ring

- Recommended Spare Parts
- Electronic Air Temperature Control (for cooling coils)
- WinIBC: PC Based IBC Control Software
- Cage Height Management

Commissioning Services

- Onsite Commissioning
- Remote Commissioning