



Quote Request Form

Date: _____

Quote #: _____

Automatic Air Ring with Gauge Control

Reference #: _____

Instructions: Complete both sides of the form to describe the line requiring an automatic gauge control air ring. This information will be used to size and configure the auto gauge system to the line and application. Use one form per extrusion line. If you have any special considerations, please note them on the back of the form.

Company Name:	Contact:
Street Address:	City, State / Province, Zip:
Country:	Installation City:
Email:	Phone / Fax:
	Production Line Number:

Die Information

Information used to size the air ring and support feet

Units: Metric Imperial
 mm/μm inch/mil

	Lip Set 1	Lip Set 2 (Optional)
1. Die Diameter		

Production Information

Information used to configure the forming cone angle

2. Layflat (LF) Range	Lip Set 1	Lip Set 2 (Optional)
Main Production LF Range (80%): <i>eg. 40-60" / 1000-1500 mm</i>		
LF Range Above Main (10%): <i>eg. 61-65" / 1500-1700mm</i>		
LF Range Below Main (10%): <i>eg. 38-39" / 900-1000mm</i>		
3. Minimum Thickness		
4. Maximum Thickness		
5. Materials Extruded <i>eg. (PE/PP/PA/EVA)</i>		
6. Number of Layers		
7. Maximum Extrusion Rate <i>(lbs/hr or Kg/hr)</i>		

Auxillary Equipment

Information used to check existing auxillary component compatibility or validate integration

	Quote	Manufacturer	Model / Hp,Kw	Serial Number
8. Air Ring Blower				
9. Air Ring Drive (Inverter)				
10. IBC System				
11. Inline Thickness Scanner		§Kündig		
12. Cooling Coil Air Ring				
13. Cooling Coil IBC				

§ 3rd Gen. Kündig Thickness Gauge is required.

14. What Oscillates?: Nothing Oscillating Haul-Off Extruder Platform Die*

15. Available Track Installation Space - *Figure 3*

Height: _____

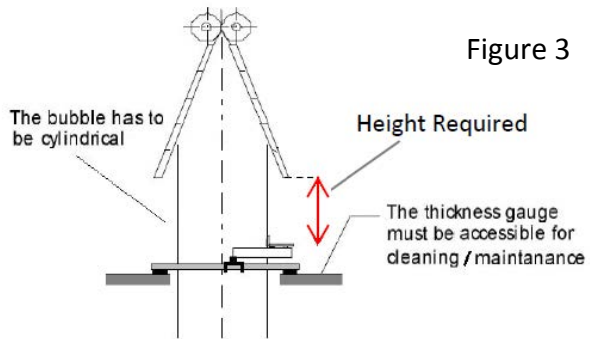
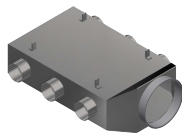


Figure 3

16. **6-Port** Air Distribution Plenum:



Not Required
Will Use Existing Plenum:
(x6) 4" outlet required

Inlet Ducting Diameter: _____

Notes: _____



*Currently the InstaGauge™ does not support oscillating/rotating dies.